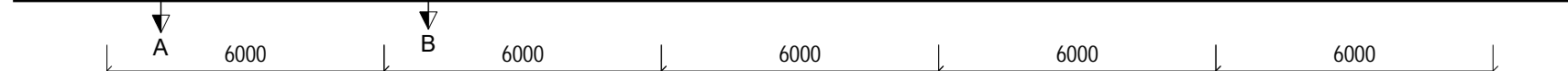
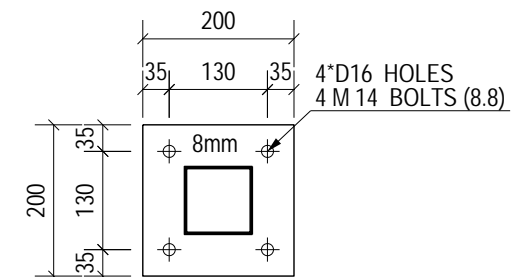
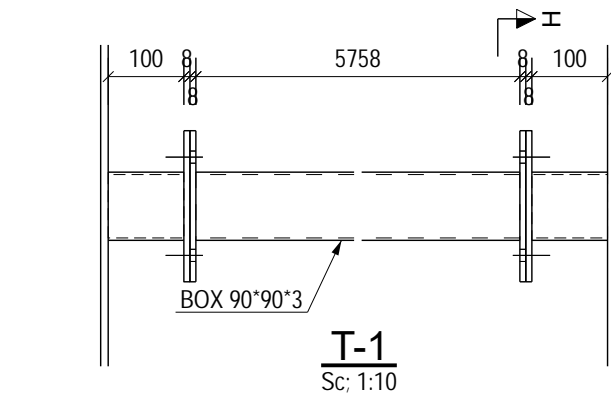
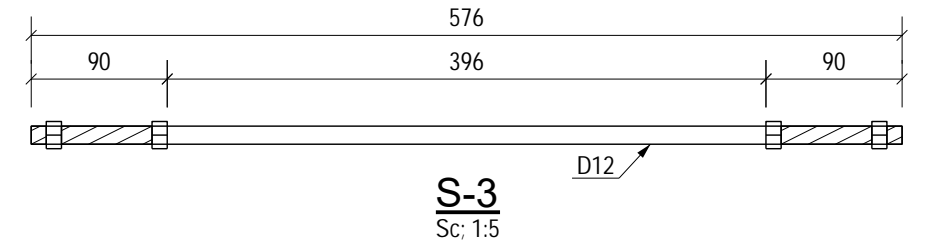
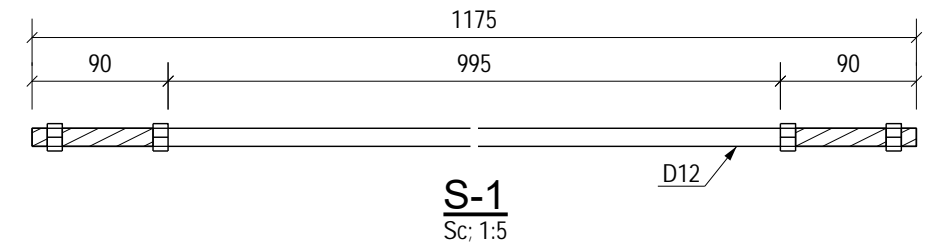
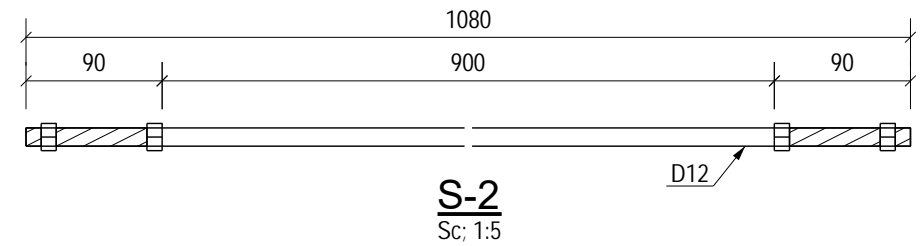
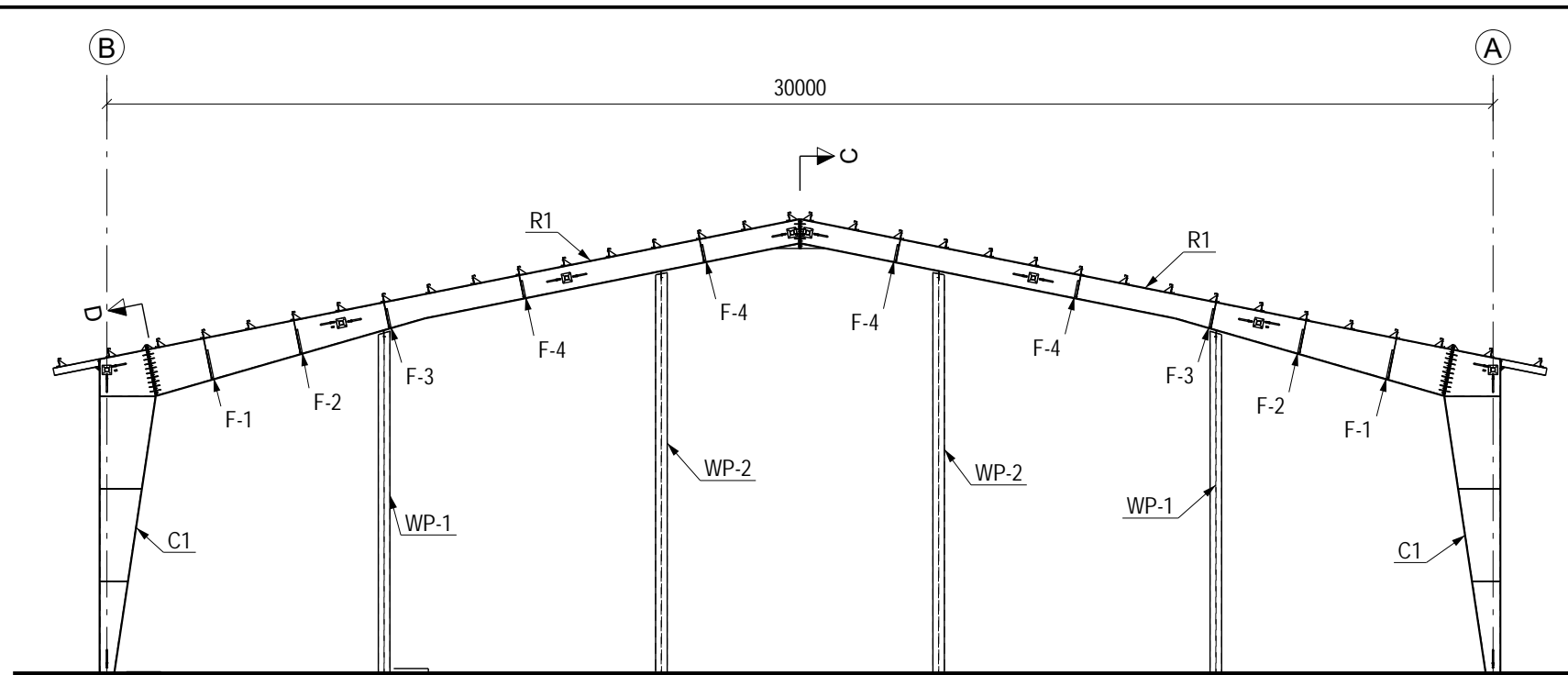


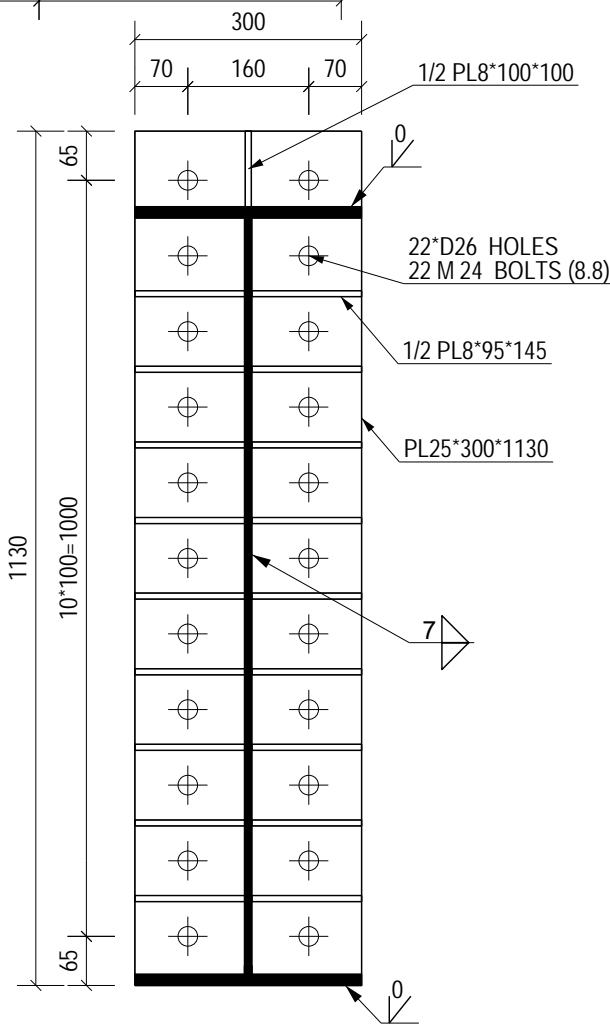
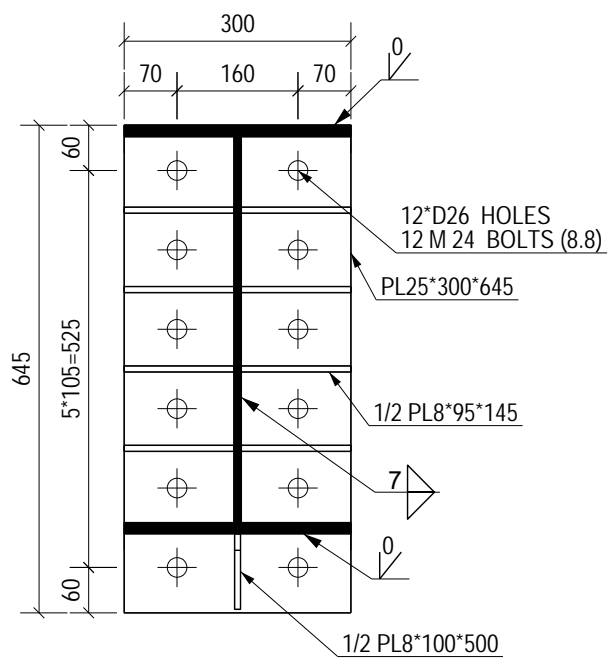
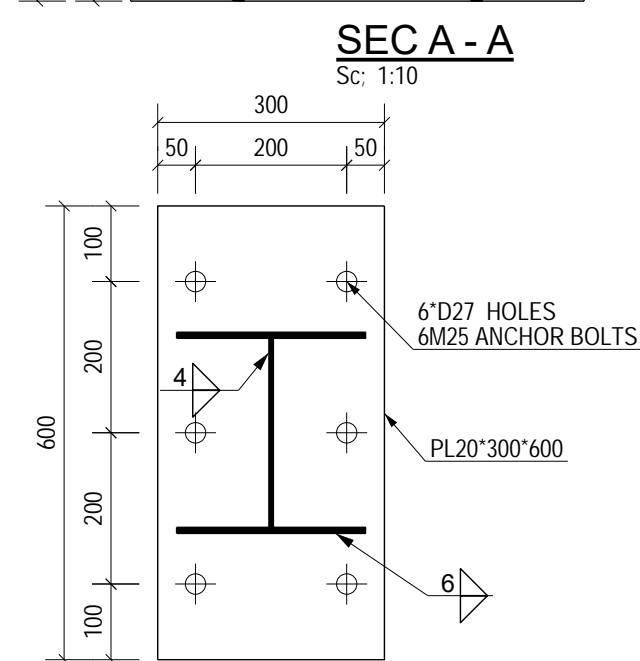
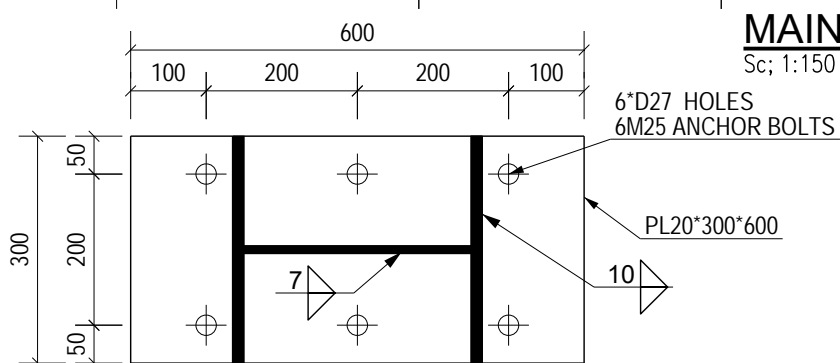
3D

DATE: 01/04/18	UNIT: mm	PROJECT No:	DWG NO.: S-01	DRAWING TITLE:	CONTRACTOR:	CONSULTED:	MASTER:	PROJECT TITLE:
REV. 0	Sc: 1:300	01001	Sheet NO.: 1/1	PART: 1	3D VIEW		S.L.A.L CO.	SOLEH 30*120

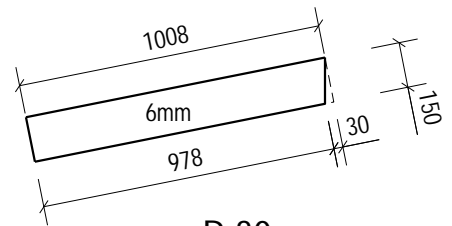


MAIN FRAME

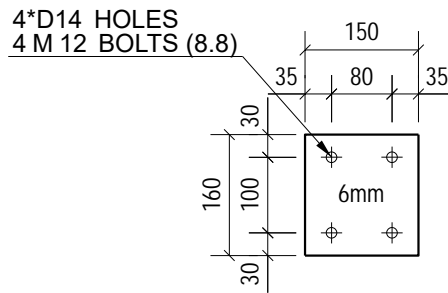
Sc: 1:150



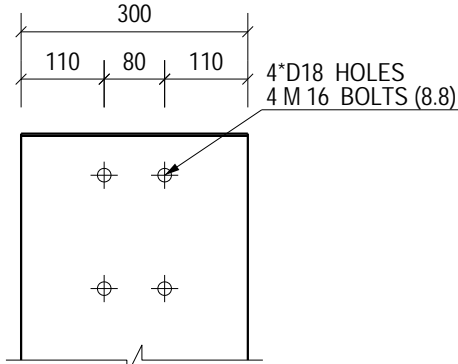
DATE: 01/04/18	UNIT: mm	PROJECT No: 01001	DWG NO.: S-02	DRAWING TITLE: MAIN FRAME	CONTRACTOR:	CONSULTED:	MASTER: S.L.A.L CO.	PROJECT TITLE: SOLEH 30*120
REV. 0	Sc: 1:5		Sheet NO.: 1/1	PART: 1				



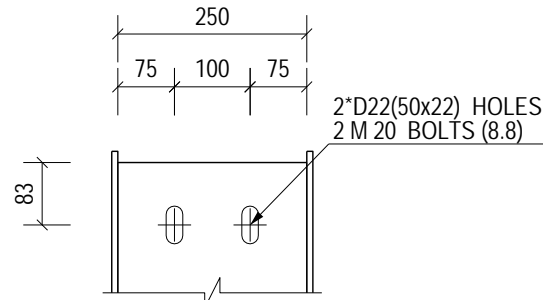
P-30
Sc: 1:25



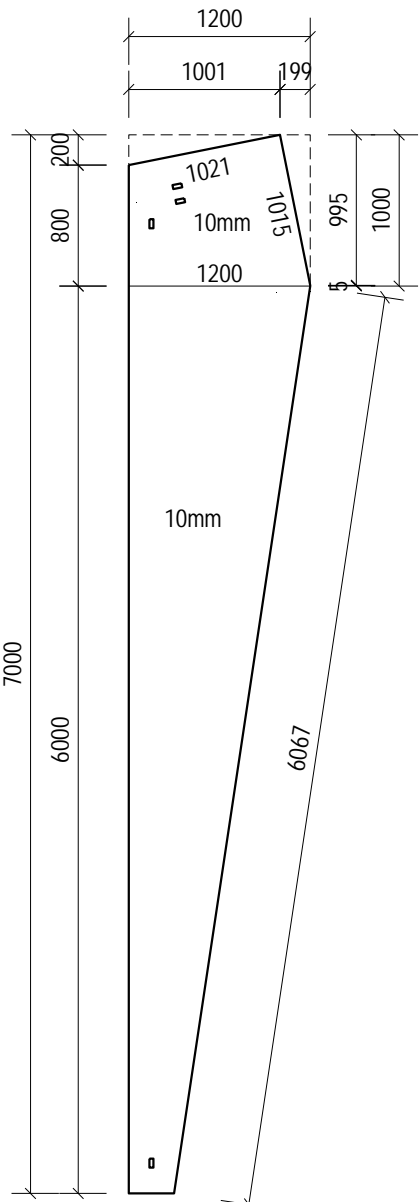
P-31
Sc: 1:10



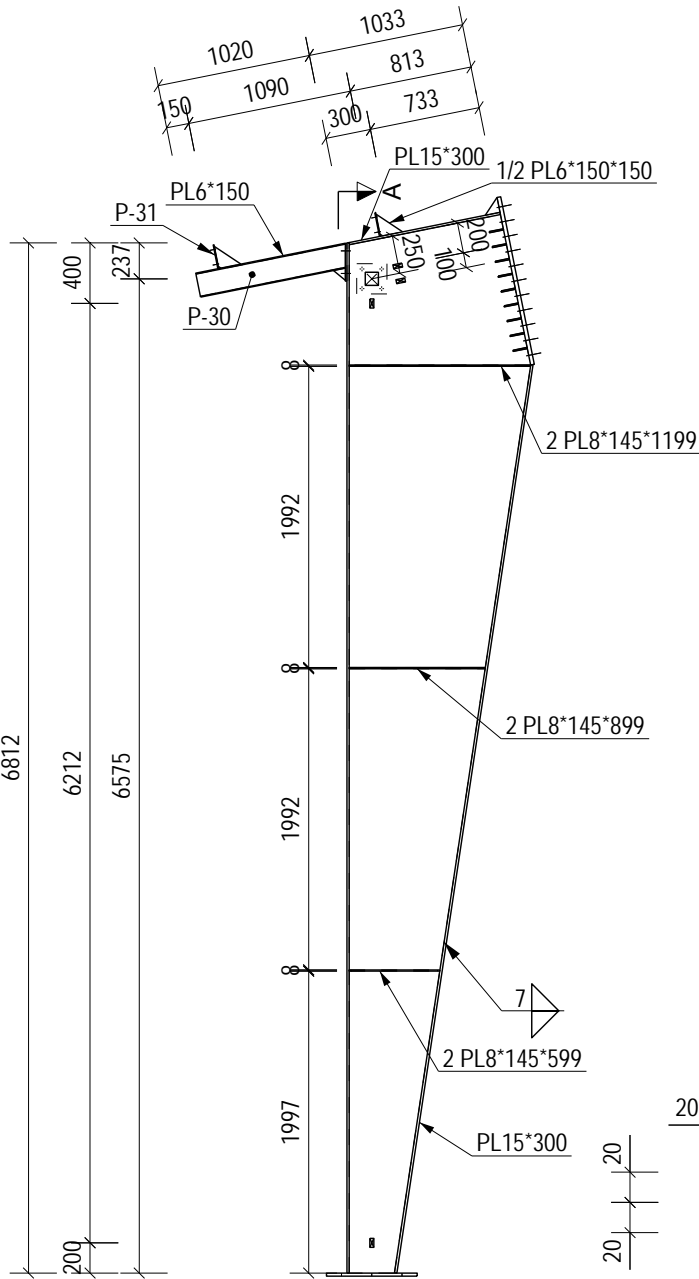
SEC A - A
Sc: 1:10



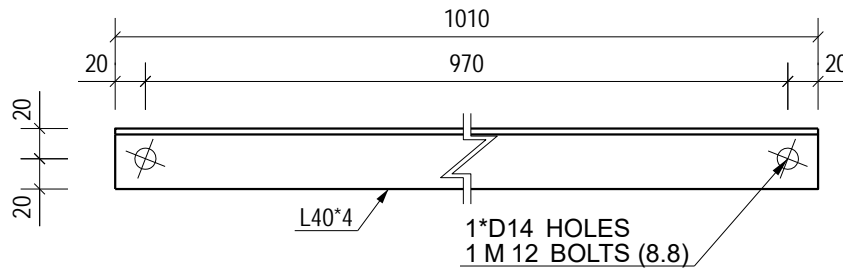
SEC B - B
Sc: 1:10



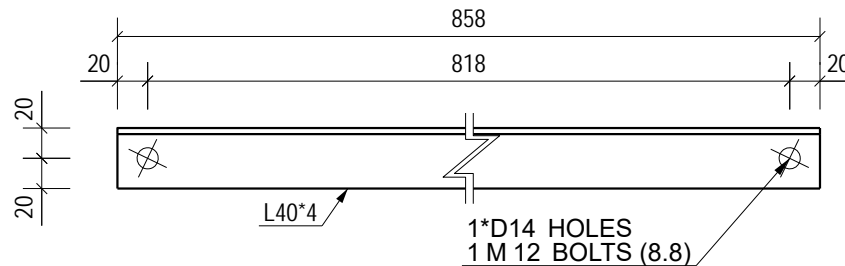
COLUMN
Sc: 1:50



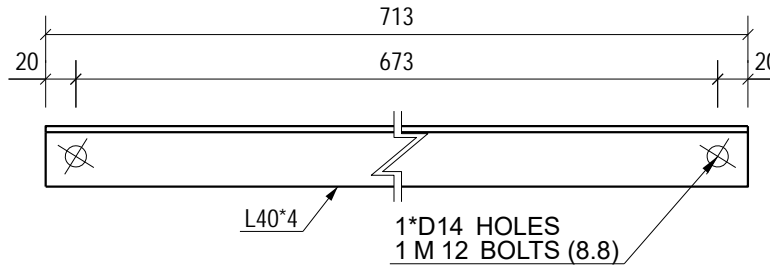
C1
Sc: 1:50



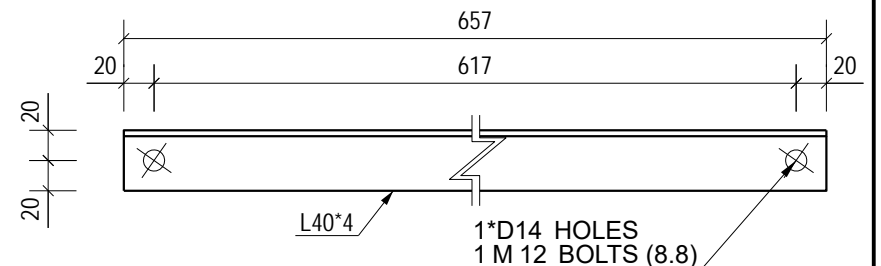
F-1
Sc: 1:5



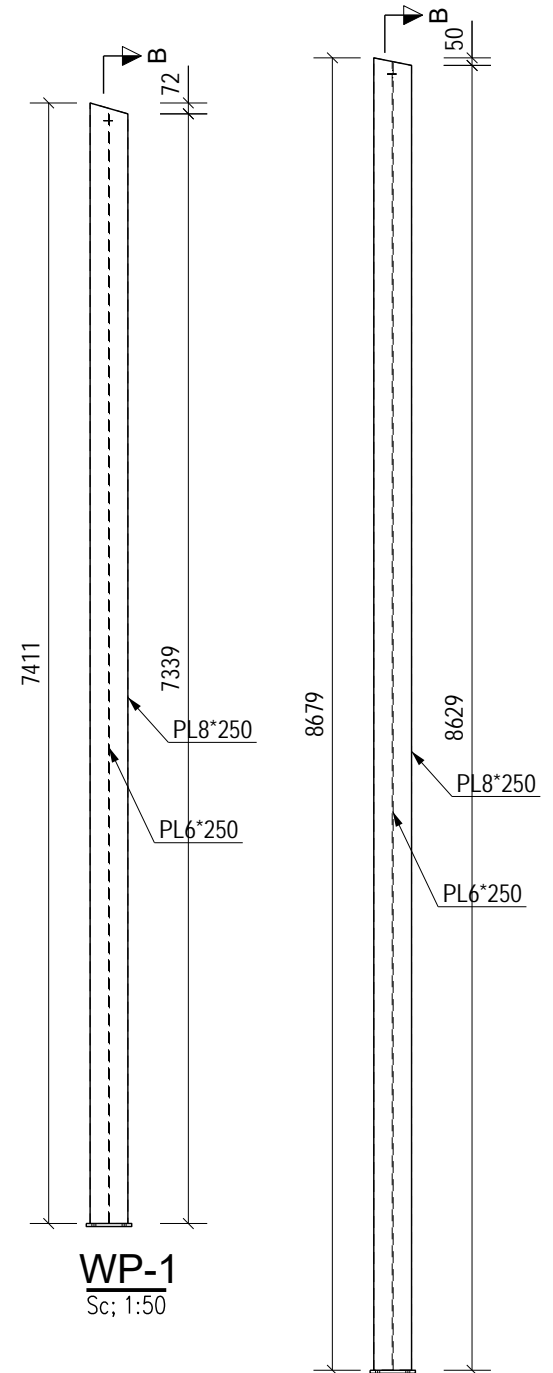
F-2
Sc: 1:5



F-3
Sc: 1:5



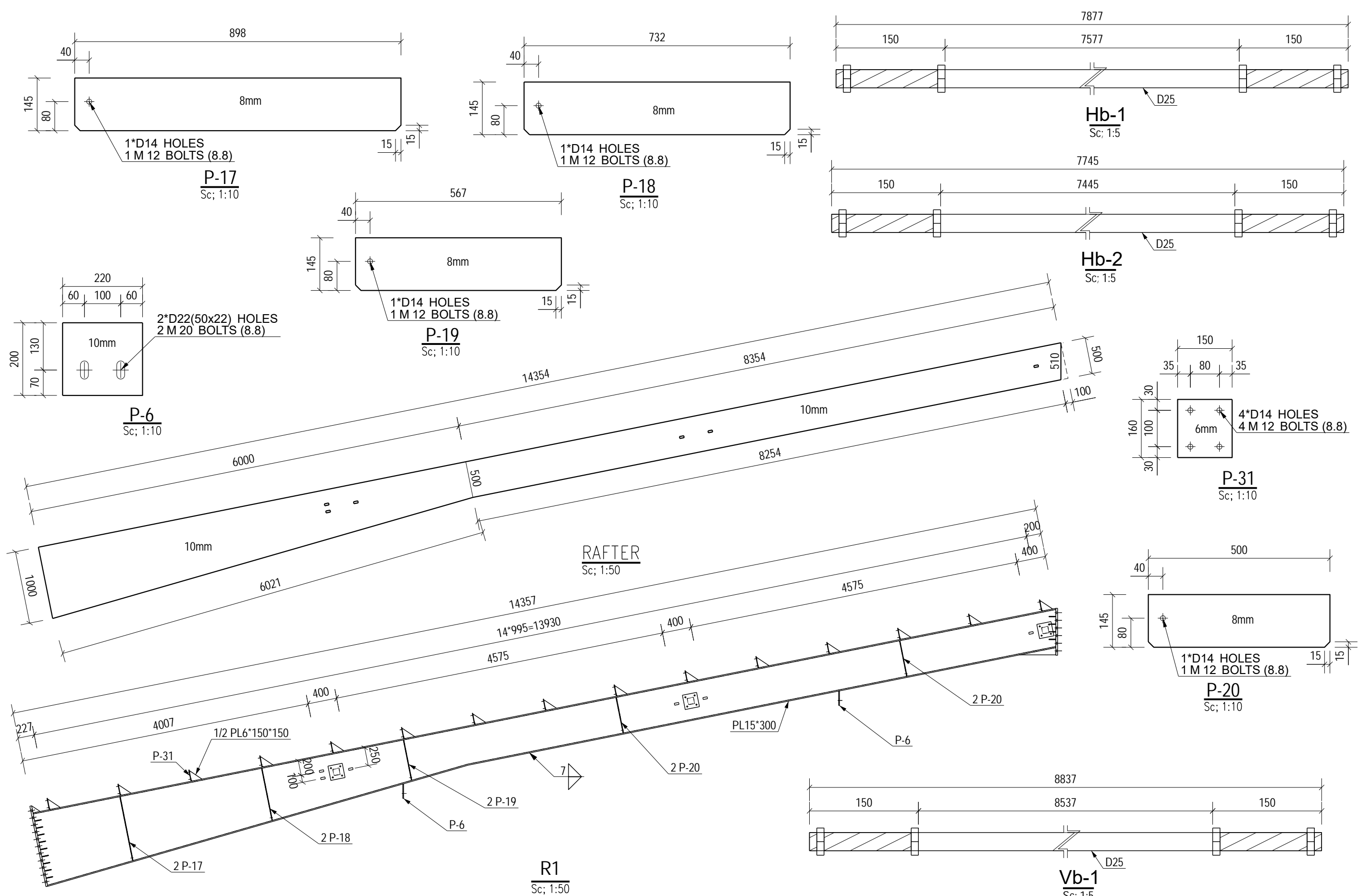
F-4
Sc: 1:5



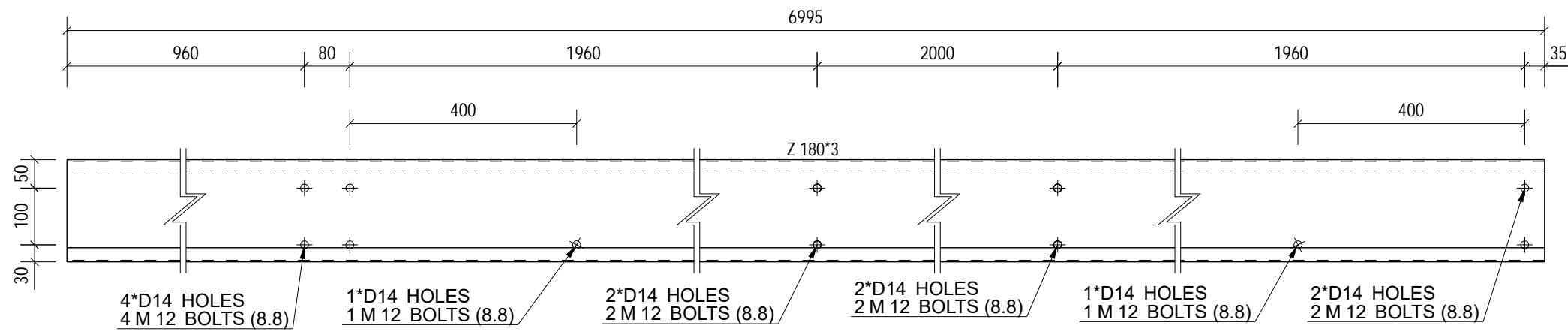
WP-1
Sc: 1:50

WP-2
Sc: 1:50

DATE: 01/04/18	UNIT: mm	PROJECT No:	DWG NO.: S-03	DRAWING TITLE:	CONTRACTOR:	CONSULTED:	MASTER:	PROJECT TITLE:
REV. 0	Sc:1:5 1:10 1:25	01001	Sheet NO.: 1/1 PART: 1	C1			S.L.A.L CO.	SOLEH 30*120

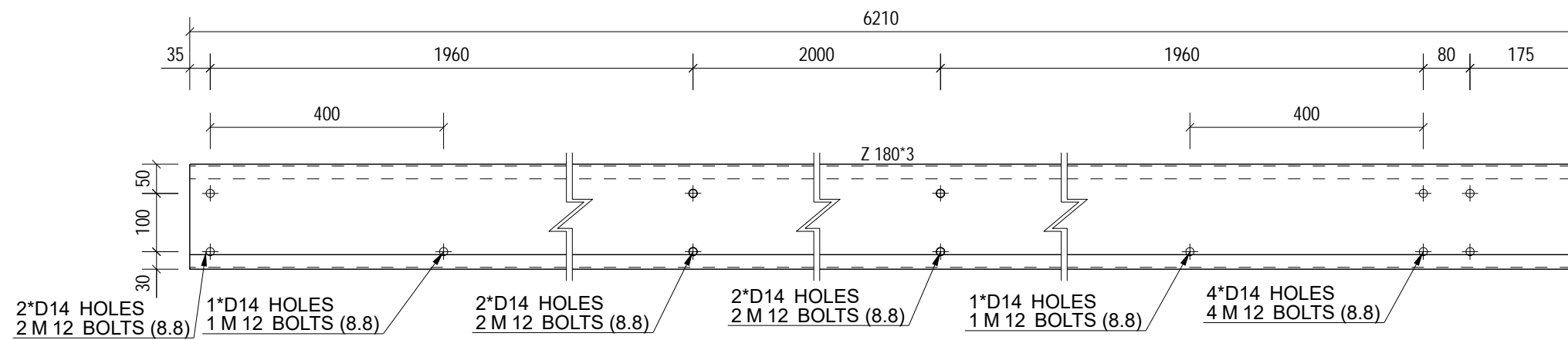


DATE: 01/04/18	UNIT: mm	PROJECT No:	DWG NO.: S-04	DRAWING TITLE:	CONTRACTOR:	CONSULTED:	MASTER:	PROJECT TITLE:
REV. 0	Sc:1:5 1:10 1:50	01001	Sheet NO.: 1/1 PART: 1	R1			S.L.A.L CO.	SOLEH 30*120



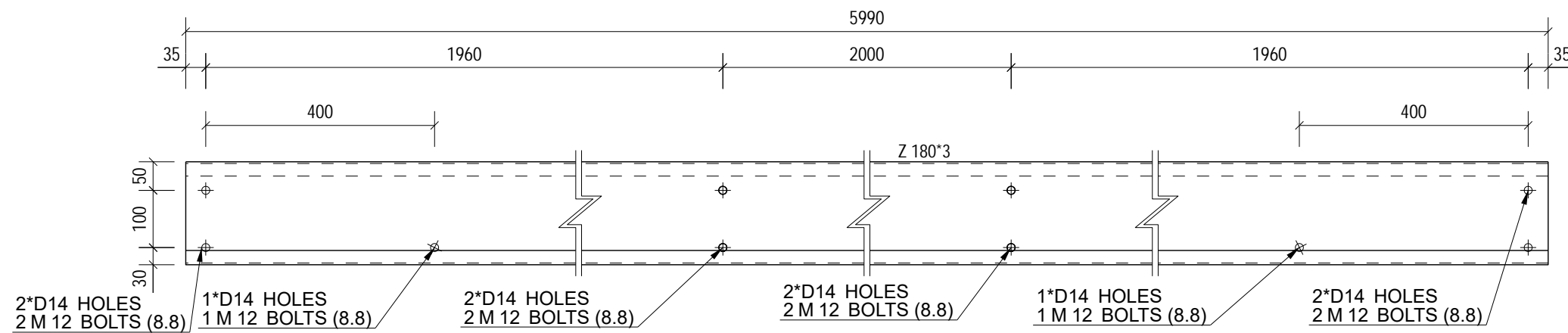
PURLIN TYPE A

Sc: 1:10



PURLIN TYPE B

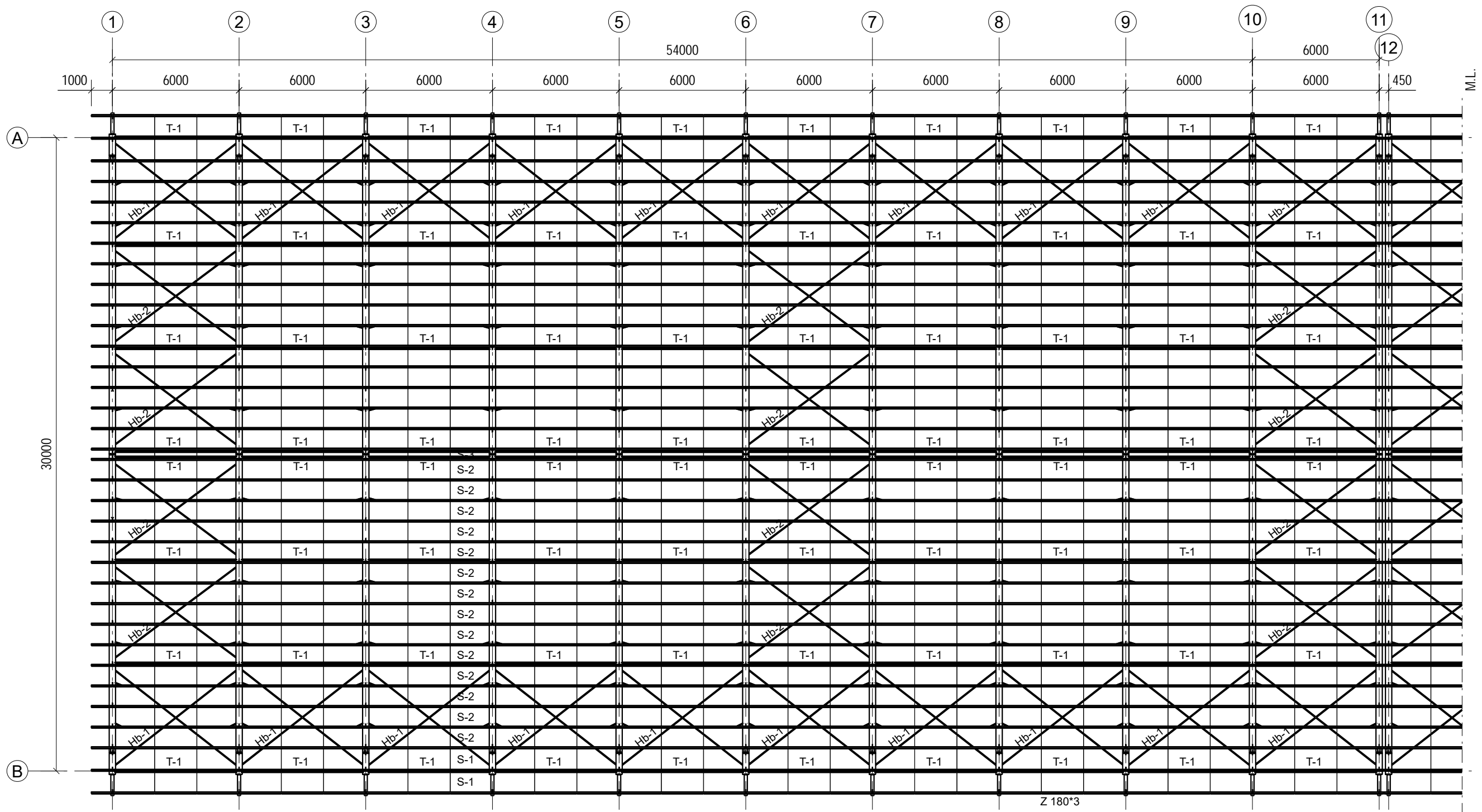
Sc: 1:10



PURLIN TYPE C

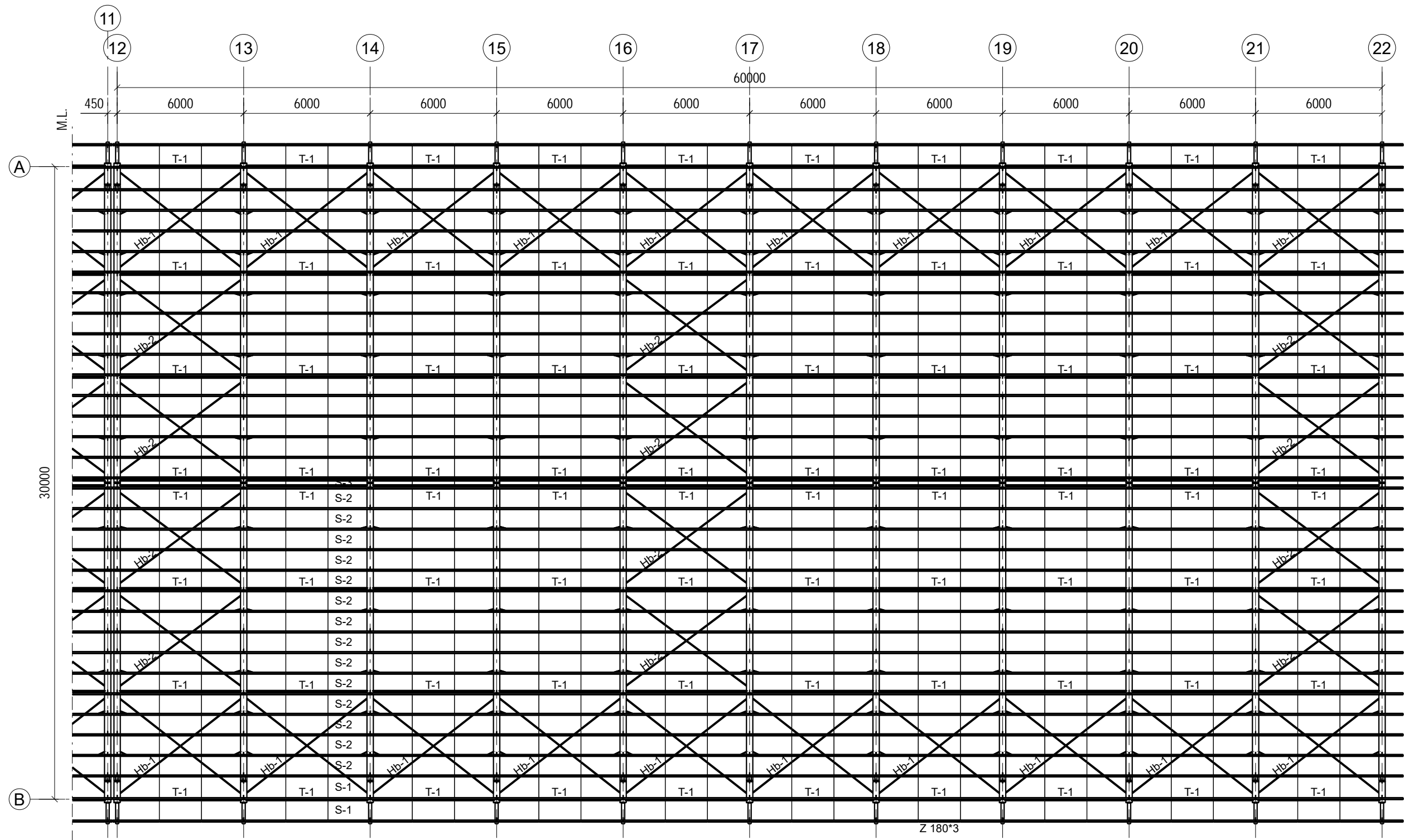
Sc: 1:10

DATE: 01/04/18	UNIT: mm	PROJECT No:	DWG NO.: S-05	DRAWING TITLE:	CONTRACTOR:	CONSULTED:	MASTER:	PROJECT TITLE:
REV. 0	Sc:1:10	01001	Sheet NO.: 1/1 PART: 1	DET			S.L.A.L CO.	SOLEH 30*120



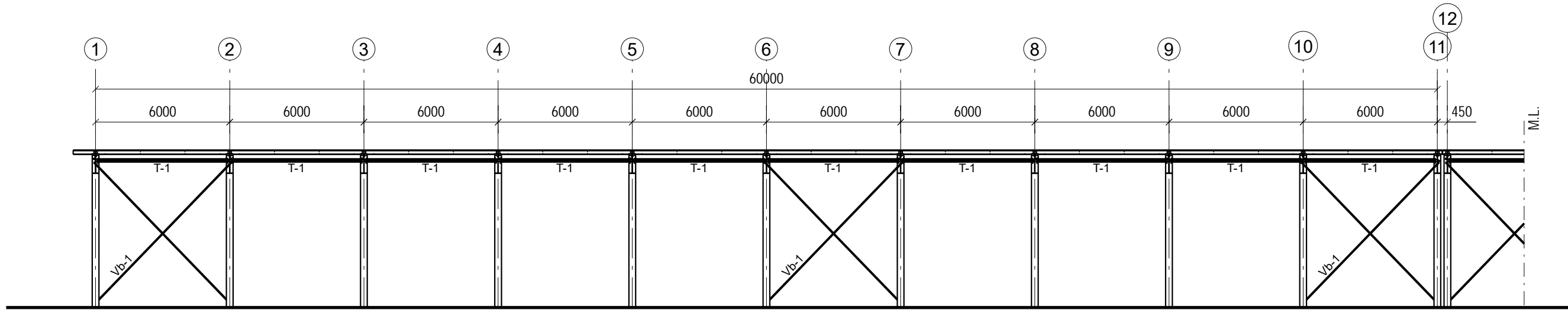
ROOF FRAMING PLAN
Sc: 1:200

DATE: 01/04/18	UNIT: mm	PROJECT No:	DWG NO.: S-06	DRAWING TITLE:	CONTRACTOR:	CONSULTED:	MASTER:	PROJECT TITLE:
REV. 0	Sc: 1:200	01001	Sheet NO.: 1/1	PART: 1	FRAMING PLAN		S.L.A.L CO.	SOLEH 30*120

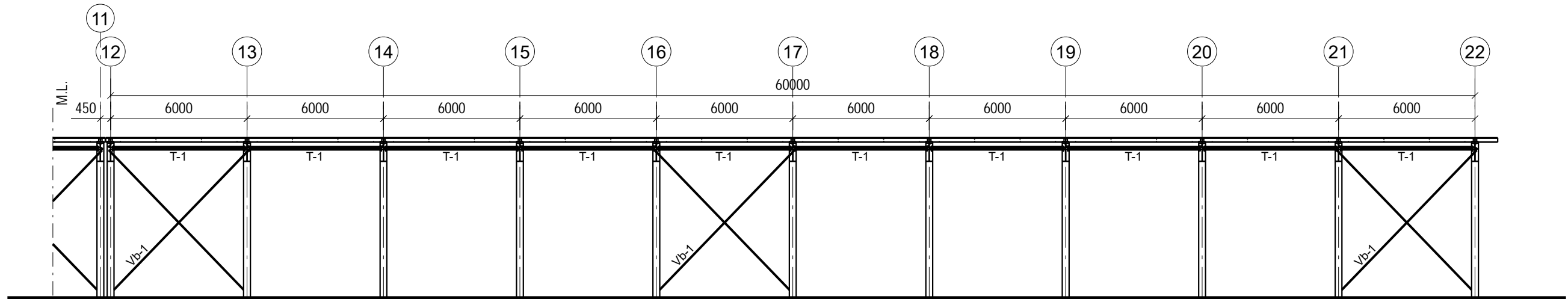


ROOF FRAMING PLAN
Sc: 1:200

DATE: 01/04/18	UNIT: mm	PROJECT No:	DWG NO.: S-07	DRAWING TITLE:	CONTRACTOR:	CONSULTED:	MASTER:	PROJECT TITLE:
REV. 0	Sc: 1:200	01001	Sheet NO.: 1/1 PART: 1	FRAMING PLAN			S.L.A.L CO.	SOLEH 30*120



VIEW A&B
Sc: 1:200



VIEW A&B
Sc: 1:200

DATE: 01/04/18	UNIT: mm	PROJECT No:	DWG NO.: S-08	DRAWING TITLE:	CONTRACTOR:	CONSULTED:	MASTER:	PROJECT TITLE:
REV. 0	Sc: 1:200	01001	Sheet NO.: 1/1	VIEW A&B			S.L.A.L CO.	SOLEH 30*120
			PART: 1					